

## TO-92 Plastic-Encapsulate Transistors

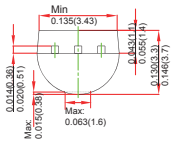
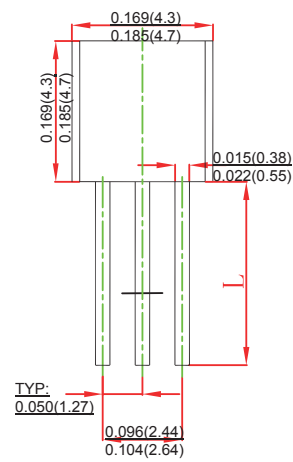
### FEATURES

- General Purpose Amplifier
- TRANSISTOR (NPN)

### MECHANICAL DATA

- Case style: TO-92 molded plastic
- Mounting position: any

### TO-92



## MAXIMUM RATINGS AND CHARACTERISTICS

@ 25°C Ambient Temperature (unless otherwise noted)

Symbol	Parameter	Alue	Unit
$V_{CBO}$	Collector-Base Voltage	60	V
$V_{CEO}$	Collector-Emitter Voltage	60	V
$V_{EBO}$	Emitter-Base Voltage	4	V
$I_C$	Collector Current -Continuous	0.5	A
$P_D$	Collector Power Dissipation	625	mW
$R_{\theta JA}$	Thermal Resistance from Junction to Ambien	200	°C /W
$T_j$	Junction Temperature	150	°C
$T_{stg}$	Storage Temperature	-55 ~+150	°C

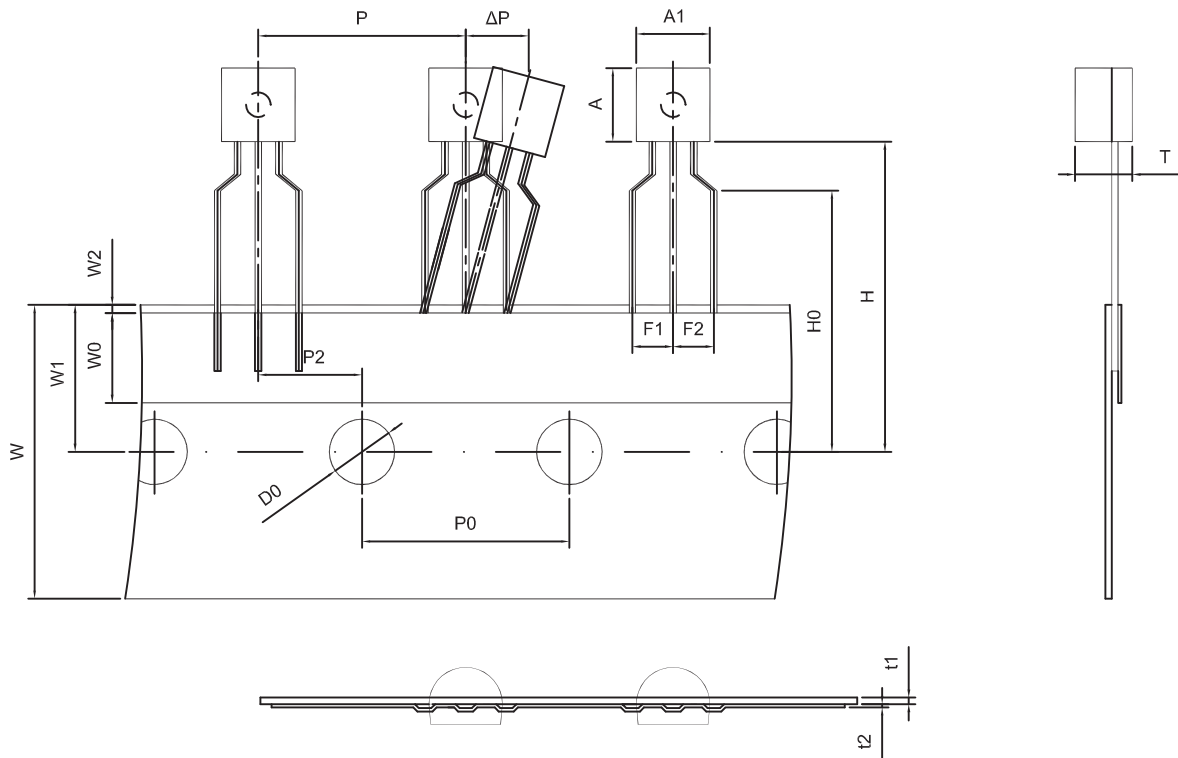
### ORDERING INFORMATION

Part Nu	berf	Package	Packing Method	Pack Quantity
MPSA05		TO-92	Bulk	1000pcs/Bag
MPSA05-TA		TO-92	Tape	2000pcs/Box

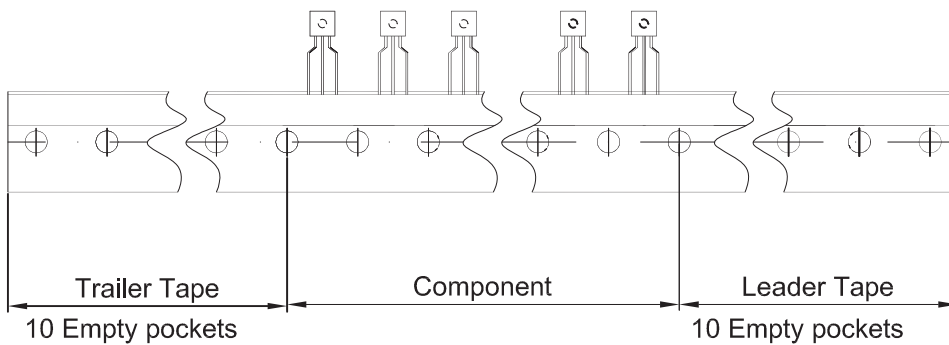
Parameter	Symbol	Test conditions	Min	Typ	Max	Unit
Collector-base breakdown voltage	$V_{(BR)CBO}$	$I_C=0.1mA, I_E=0$	60			V
Collector-emitter breakdown voltage	$V_{(BR)CEO}$	$I_C=1mA, I_B=0$	60			V
Emitter-base breakdown voltage	$V_{(BR)EBO}$	$I_E=0.1mA, I_C=0$	4			V
Collector cut-off current	$I_{CBO}$	$V_{CB}=60V, I_E=0$			0.1	KA
Collector cut-off current	$I_{CEO}$	$V_{CE}=60V, I_B=0$			0.1	KA
Emitter cut-off current	$I_{EBO}$	$V_{EB}=3V, I_C=0$			1	KA
DC current gain	$h_{FE(1)}$	$V_{CE}=1.0V, I_C=100mA$	100			
	$h_{FE(2)}$	$V_{CE}=1.0V, I_C=10mA$	100			
Collector-emitter saturation voltage	$V_{CE(sat)}$	$I_C=100mA, I_B=10mA$			0.25	V
Base-emitter voltage	$V_{BE}$	$I_C=100mA, V_{CE}=1.0V$			1.2	V
Transition frequency	$f_T$	$V_{CE}=2.0V, I_C=10mA, f=100MHz$	100			MHz

Marking	MPSA05
---------	--------

TO-92 PACKAGE TAPEING DIMENSION



Dimensions are in millimeter								
A1	A	T	P	P0	P2	F1	F2	W
4.5	4.5	3.5	12.7	12.7	6.35	2.5	2.5	18.0
W0	W1	W2	H	H0	D0	t1	t2	ΔP
6.0	9.0	1.0 MAX.	19.0	16.0	4.0	0.4	0.2	0



Package	Box	Box Size(mm)	Carton	Carton Size(mm)
TO-92	2000 pcs	333×162×43	20,000 pcs	350×340×250